

Attn.: Customer	Title <b>Periodically Tightening Cable Connectors around Substrate Holder and Cathode</b>	No.	PV-02-014898
		Date	August 19, 2013
		CANON ANELVA CORPORATION Quality Management Div	

Thank you for using CANON ANELVA products.

We would like to notify you precautions in regards of the cable connectors, which are screw tightened, which are used around the substrate holder and cathodes.

<Action Item>

Please tighten the cable connectors, which are screw tightened, around the substrate holders and the cathodes once a year.

When the substrate holder and the cathode move, these cable connectors (including but not limited to RF cables and each signal connection cables) are stressed repeatedly, and it may cause the connector connection loosened as time goes by. If you leave such connectors loosened, the System may not be able to power on, and cannot operate the System in normal condition.

Therefore, please tighten the screw tightening type cable connectors, according with the following procedure (next page) to periodically tighten them.

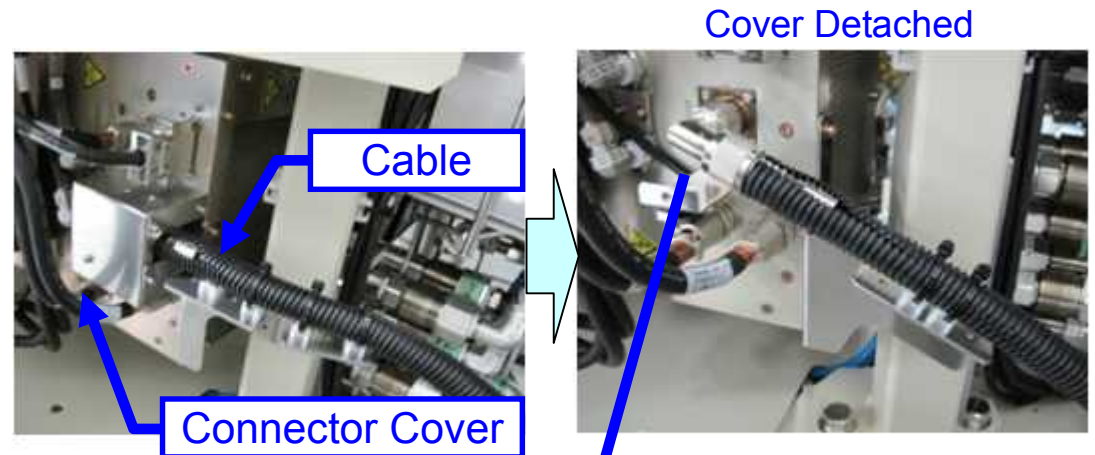
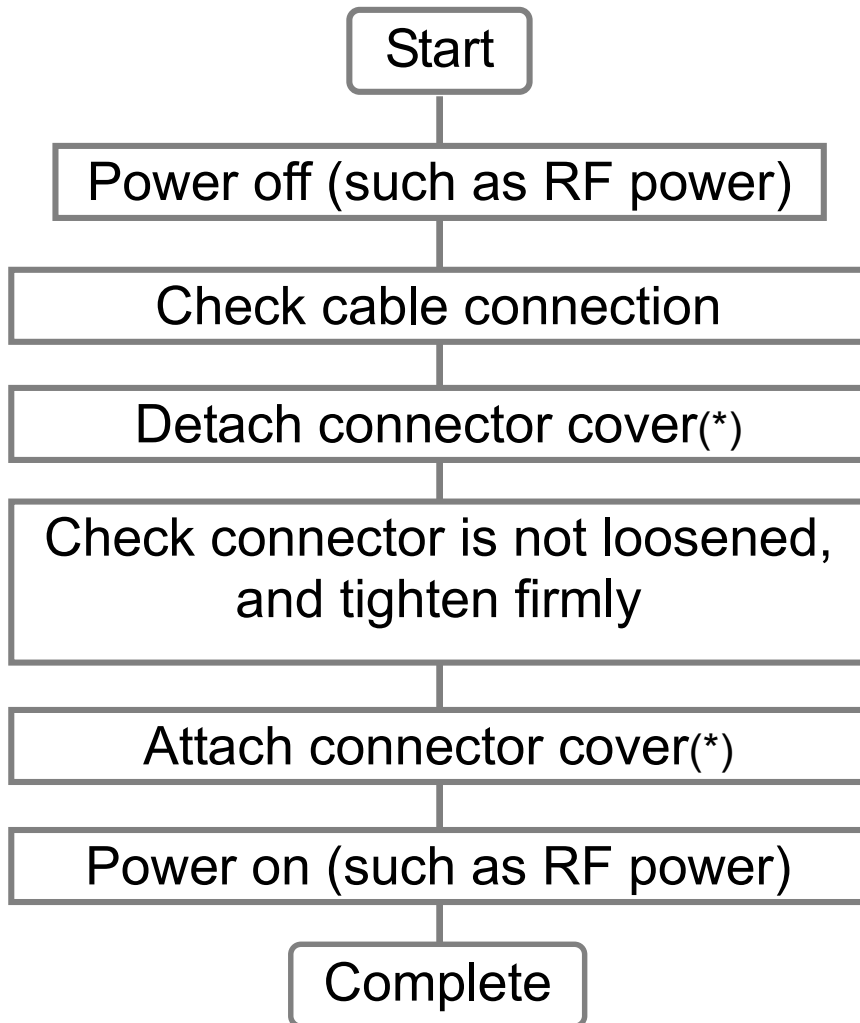
We will continually improve the product quality and reliability to ensure customer satisfaction.

Applicable parts	Screw Tightening Type Cable Connectors around Substrate Holder and Cathodes	
Reason of report	Providing latest information of quality assurance and safety	
Action items	Please tighten the connectors periodically, following the procedure.	Refer to the following procedure (Separate Sheet)
Price, lead time, work time	If you order us such tightening work, it costs additional charges. For details, please contact our service representatives.	
Schedule	In case of such inquiries, we will schedule case by case.	
Remarks		

Feel free to contact our sales or service representatives.

<http://www.canon-anelva.co.jp/english/contacts/index.html>

## [Separate Sheet] Tightening Cable Connector Periodically (Example)



Check if screw is not loosened, and tighten firmly

(\*) Depending on the specification, it may not have connector cover